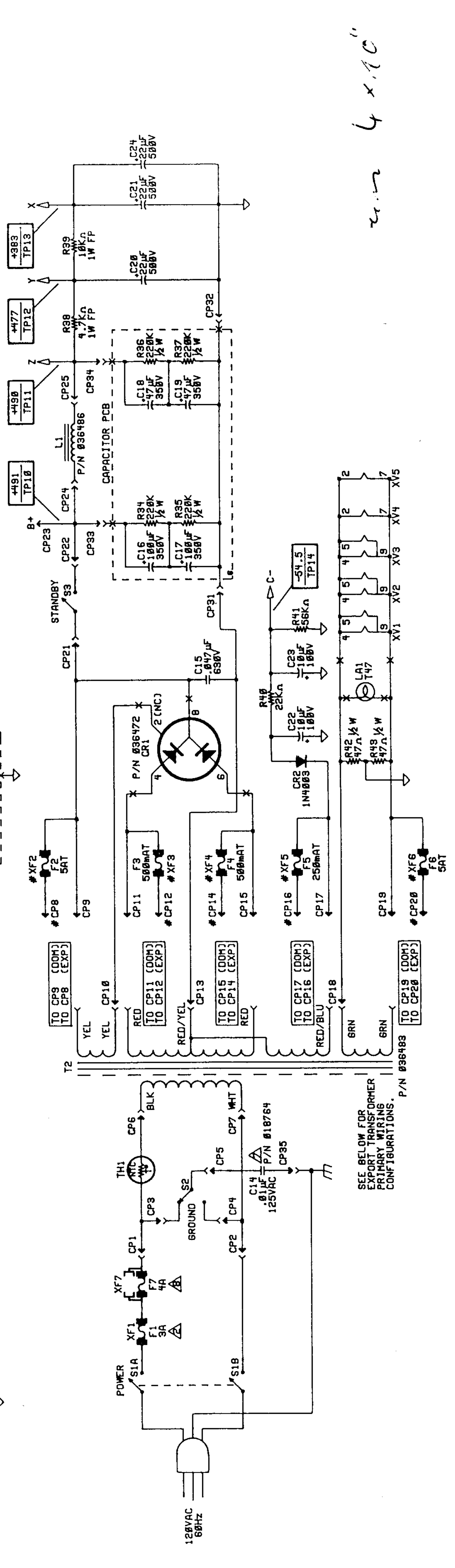


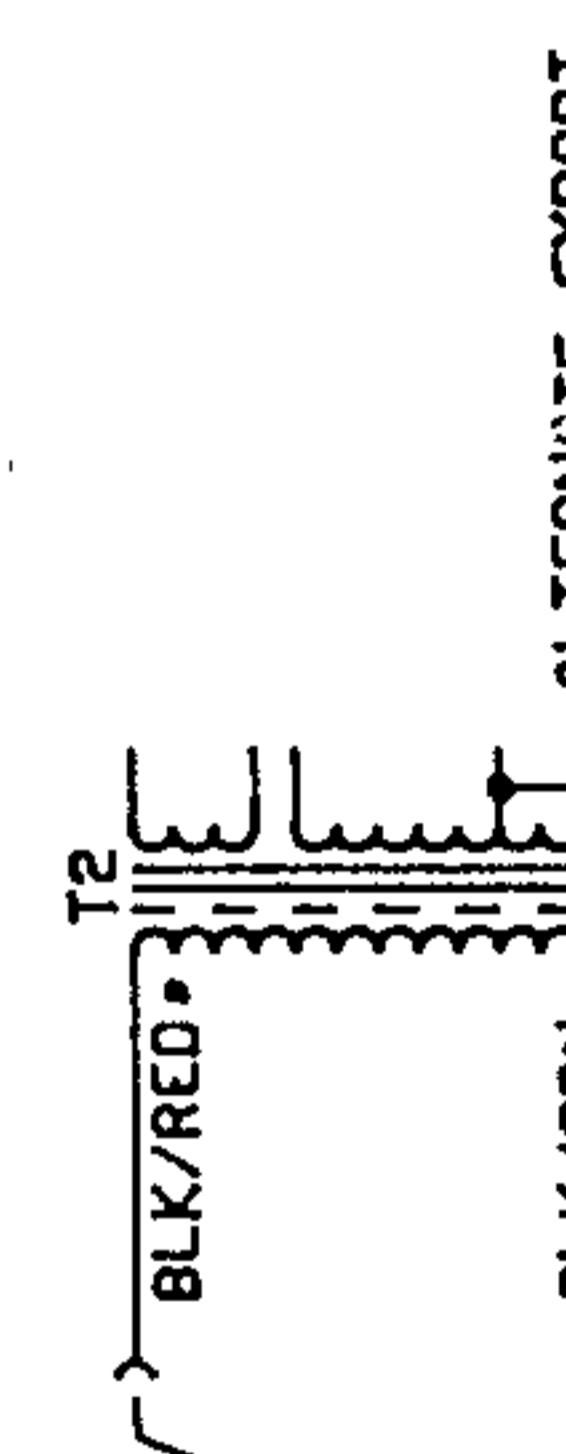
OUTPUT TEST:
50 WATTS MIN
RESISTIVE LC
1KHZ, MEASUF
VOLTAGE.



SEE BELOW FOR
EXPORT TRANSFORMER
PRIMARY WIRING
CONFIGURATIONS.

- 12. ALL RESISTORS 1/4 WATT CARBON FILM UNLESS OTHERWISE NOTED.
- 13. EXTERNAL LINE FUSE 9A IN 100/120V MODELS, 1.6A IN 200/240V MODELS.
- 14. ALL VOLTAGES MEASURED TO GROUND USING A DVM OF AT LEAST 1MΩ INPUT IMPEDANCE. ALL CONTROLS SET TO CENTER POSITION UNLESS OTHERWISE NOTED.
- 15. DC VOLTAGES MEASURED

100V	120V	220V	240V
50/60HZ	60HZ	50/60HZ	50/60HZ
CP6	CP6	CP6	CP6
CP28	CP7	CP28	CP28



ALTERNATE EXPORT

4 x 10"